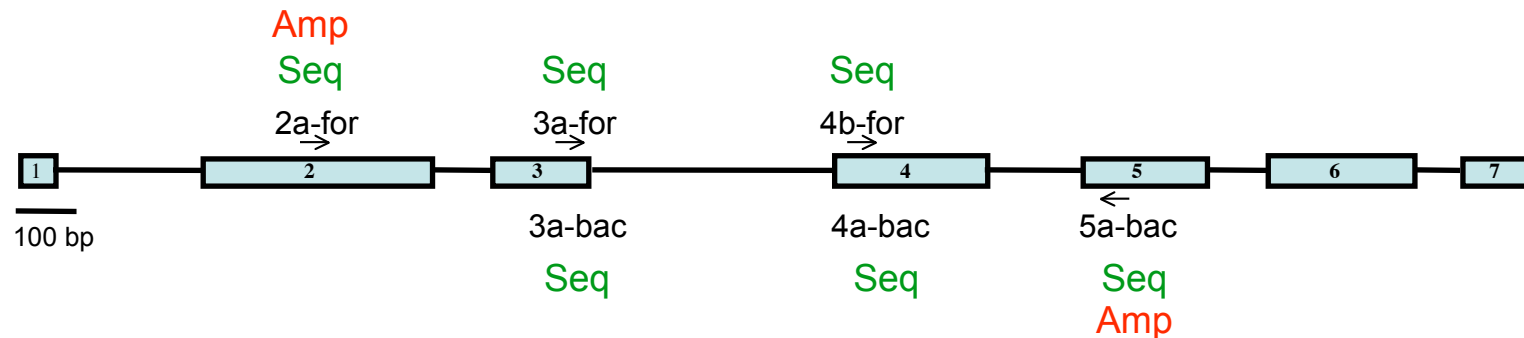


# Primers - Tissue-Ubiquitous $\alpha$ -Amylase Gene

R. J. Mason-Gamer. In Press in American Journal of Botany.



2a-for	GCCATCATGTCRTTCCACCA
3a-bac	ATGAATTCTCCRAYGCCTGG
3a-for	CCAGGCR TNGGAGAATTCAT
4a-bac	CTGCTGCTGCTTTGAARTCTG
4b-for	TACCTRSAAGCAGACTTCAAAG
5a-bac	TCRGCTGCATGGTTTGGAAC

The 2a-for and 5a-bac primers yield an **amplification product** of about 1600 bp in length.

In the Triticeae, the  $\alpha$ -amylase genes form a small gene family. This, presumably single-copy, member of the family is expressed in many plant tissues, distinguishing it from a small group of paralogous gene copies that are expressed only in the endosperm.